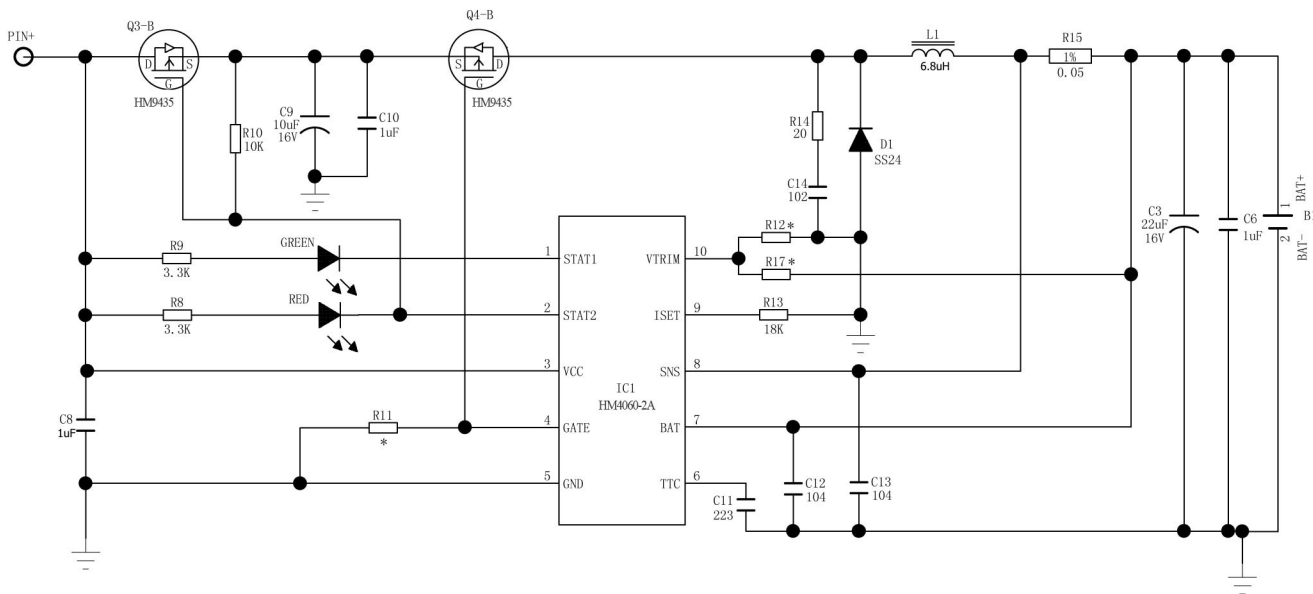


| REVISION RECORD | | | |
|-----------------|---------|-----------|-------|
| LTR | ECO NO: | APPROVED: | DATE: |
| | | | |
| | | | |
| | | | |

1/2节锂电池充电标准原理图2A

图中MOS根据电流规格选择,如果温度过高,应选择更高规格MOS或者采用并联方式



| | | | |
|--------------------------|-----------------------|-----------------|------------------------------|
| COMPANY: <Company Name> | | | |
| TITLE: <Title> | | | |
| DRAWN: <Drawn By> | DATED: <Drawn Date> | CODE: <Code> | |
| CHECKED: <Checked By> | DATED: <Checked Date> | SIZE: B | DRAWING NO: <Drawing Number> |
| QUALITY CONTROL: <QC By> | DATED: <QC Date> | REV: <Revision> | SCALE: <Scale> |
| RELEASED: <Released By> | DATED: <Release Date> | SHEET: 1 OF 1 | |

| | |
|--------------------------|-----------------------|
| DRAWN: <Drawn By> | DATED: <Drawn Date> |
| CHECKED: <Checked By> | DATED: <Checked Date> |
| QUALITY CONTROL: <QC By> | DATED: <QC Date> |
| RELEASED: <Released By> | DATED: <Release Date> |

D

D

C

C

B

B

A

A