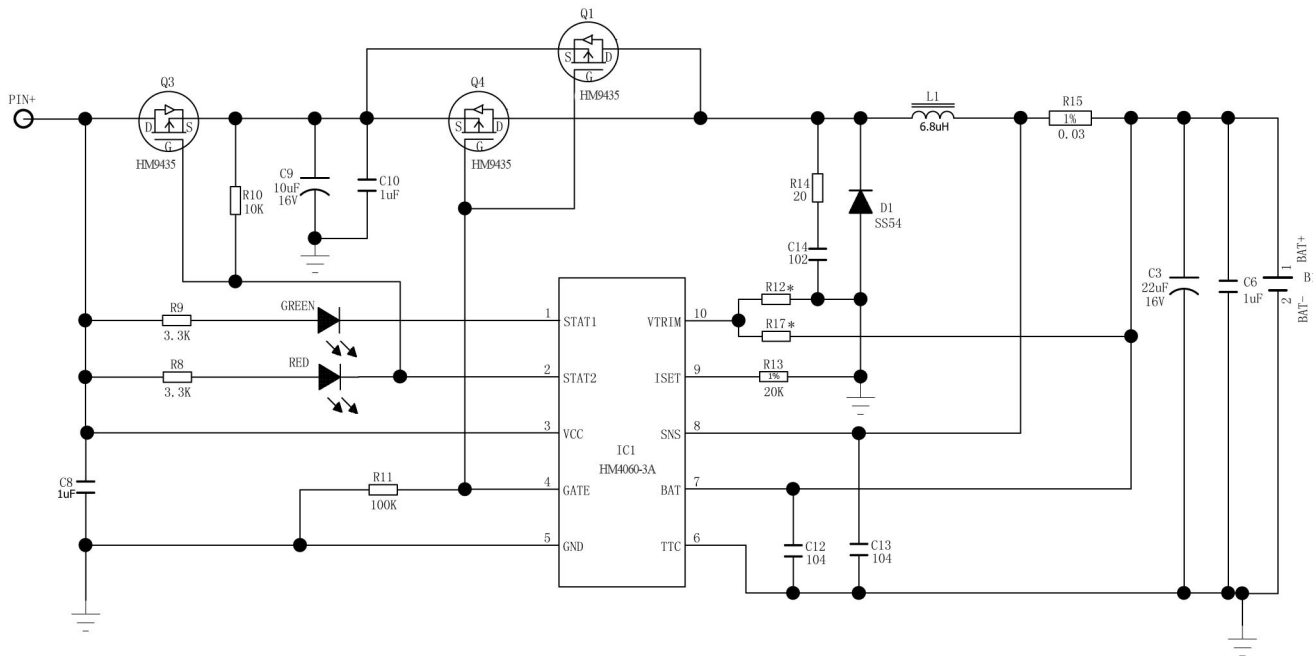


| REVISION RECORD |         |           |       |
|-----------------|---------|-----------|-------|
| LTR             | ECO NO: | APPROVED: | DATE: |
|                 |         |           |       |
|                 |         |           |       |
|                 |         |           |       |

### 1/2节锂电池充电标准原理图3A



|          |       |             |               |
|----------|-------|-------------|---------------|
| COMPANY: |       |             |               |
| TITLE:   |       |             |               |
| CODE:    | SIZE: | DRAWING NO: | REV:          |
| SCALE:   |       |             | SHEET: 1 OF 1 |

|                  |        |
|------------------|--------|
| DRAWN:           | DATED: |
| CHECKED:         | DATED: |
| QUALITY CONTROL: | DATED: |
| RELEASED:        | DATED: |

D

D

C

C

B

B

A

A